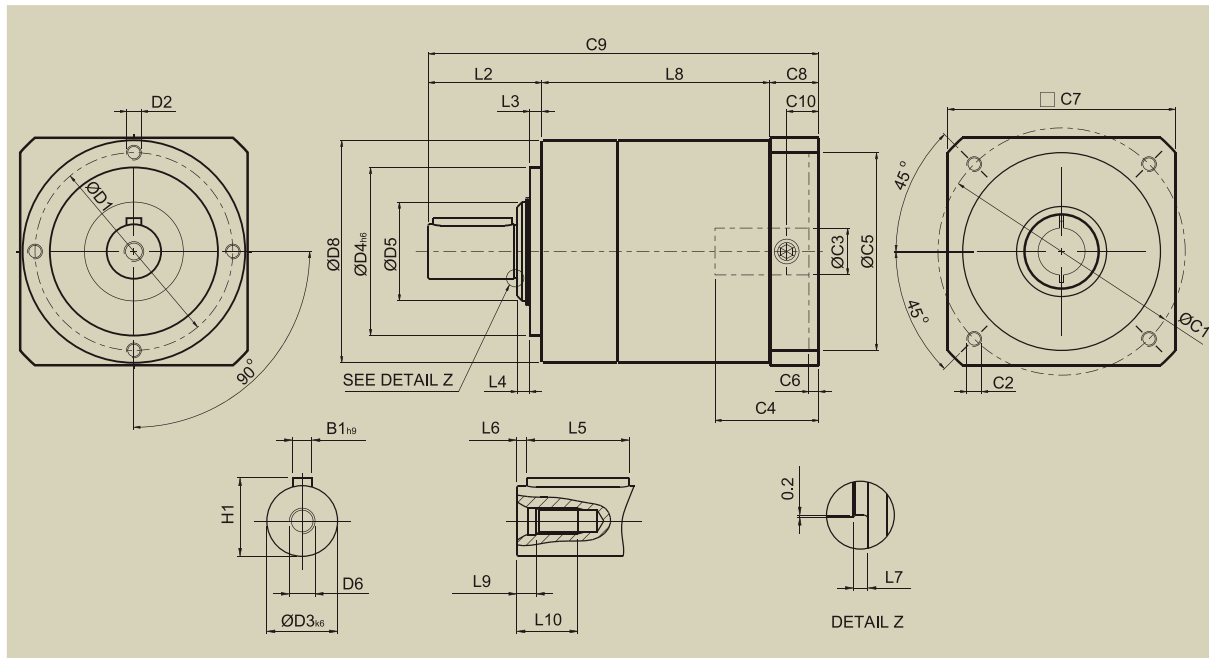


PE Series Dimension



[unit: mm]

Dimension	PE050	PE070	PE090	PE120	PE155
D1	44	62	80	108	140
D2	M4X9	M5X10	M6X12	M8X15	M10X18
D3 _{k6}	12	16	22	32	40
D4 _{h6}	35	52	68	90	120
D5	17	25	40	50	65
D6	M4X0.7P	M5X0.8P	M8X1.25P	M12X1.75P	M16X2P
D8	50	70	90	120	155
L2	24.5	36	46	70	97
L3	4	5	5	6	8
L4	2.5	3	5	6	7
L5	14	25	32	50	70
L6	2	2	2	4	6
L7	1	1	1.5	2	2
L8	1-stage	55	77	92	127
	2-stage	79.5	110	131.5	180
L9	4.5	4.8	7.2	10	12
L10	10	12.5	19	28	36
C1 ⁴	46	70	100	130	165
C2 ⁴	M4X0.7P	M5X0.8P	M6X1P	M8X1.25P	M10X1.5P
C3 ⁴	≤ 12	≤ 16	≤ 24	≤ 32	≤ 38
C4 ⁴	30	34	40	50	60
C5 ⁴	30	50	80	110	130
C6 ⁴	3.5	8	4	5	6
C7 ⁴	52	72	92	122	157
C8 ⁴	21.5	21.5	20	24	31
C9 ⁴	1-stage	101	134.5	158	221
	2-stage	125.5	167.5	197.5	274
C10 ⁴	14.5	15.5	13	16	21
B1 _{h9}	4	5	6	10	12
H1	13.5	18	24.5	35	43

4. C1-C10 are motor specific dimensions (metric std shown). Refer to Apexdyna.com and Design Tool to view your specific motor mounting system.